

Miniature Crystal Oscillators

Series **CMXO**

Cardinal's mini-oscillators are excellent for notebook and palmtop computers, because of their streamlined size.

Specifications:

Frequency Range: 1.843200 ~ 70.000000 MHz

Frequency Stability: ±100 ppm *Standard*
± 50 ppm

Operating Temperature: -10°C ~ +70°C

Storage Temperature: -55°C ~ +125°C

Input Voltage: +5.0 ± 0.5 V

Input Current: 1.8432 ~ 25.000000 25 mA Max
25.000+ ~ 50.000000 45 mA Max
50.000+ ~ 70.000000 60 mA Max

Output Voltage: Output '0' Level 0.5 V Max Output '1' Level 4.5 V Min

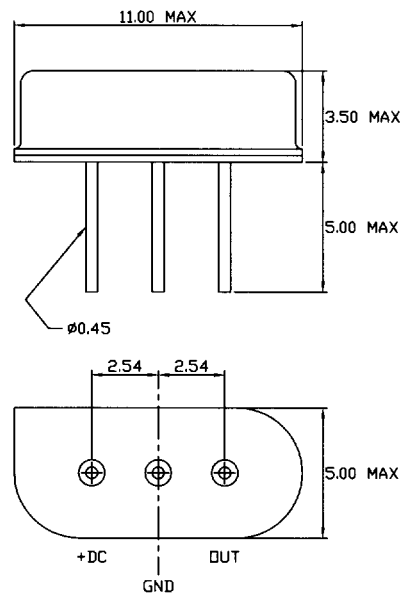
Symmetry: 40/60 % @ 1/2 V_{DD} *Standard*
45/55 % @ 1/2 V_{DD}

Rise/Fall Time: 7 ns Max

Start-Up Time: 10 ms Max

Output Load: 10 LS TTL Max, 50 pF CMOS Max

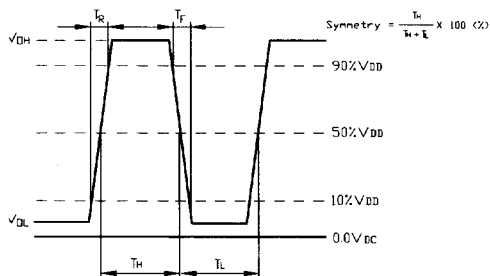
CMXO



Pin Configurations

| | |
|---|--------|
| 1 | +5VDC |
| 2 | GND |
| 3 | Output |

OUTPUT WAVE FORM



TEST CIRCUIT

